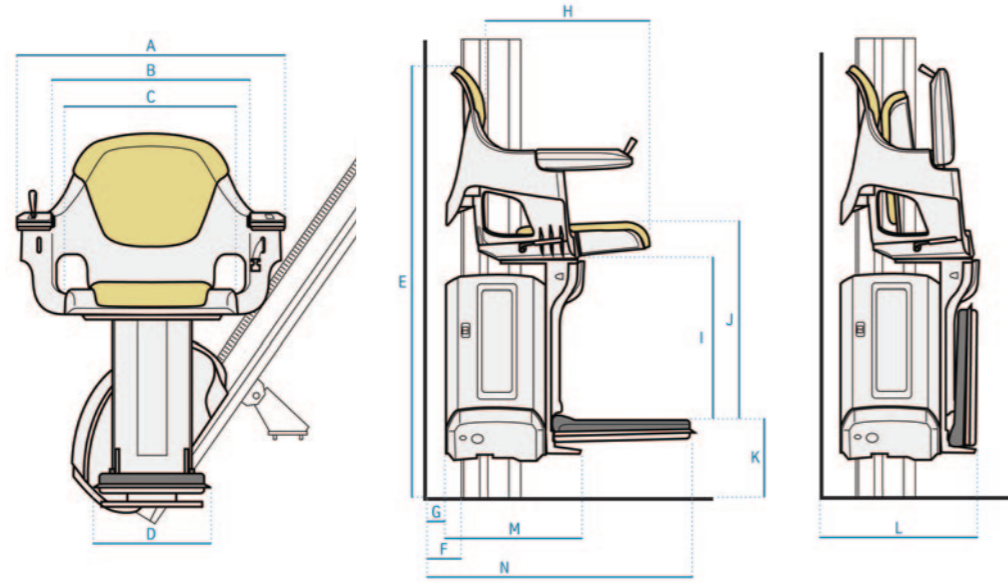


levant

theLevantdimensions



TECHNICAL SPECIFICATIONS	
A Total Width	655mm
B Width Between Armrests	485mm
C Folding Seat Width	422mm
D Footrest Width	295mm
E Height	963mm
F Rail from Wall	74mm
G Stairlift from Wall	34mm
H Seat Depth	410mm
I Footrest to Bottom of Seat	400mm
J Footrest to Top of Seat	478mm (450mm without upholstery)
K Footrest Height	115mm (94–118mm)
L Stairlift Folded from Wall	410mm
M Stairlift Folded	370mm
N Stairlift Unfolded from Wall	666mm (680mm when swivelled)

Specialists in Access Solutions

Lift Able a division of ThyssenKrupp Access Ltd

Head Office: Easter Park, Earlsway, Teesside Industrial Estate, Stockton-on-Tees TS17 9NT

Branch Office: 236 Europa Boulevard, Gemini Business Park, Warrington, Cheshire WA5 7TN

Please visit our website at www.liftable.co.uk or email sales@liftable.co.uk

Due to continuous development in design, we reserve the right to change specifications without prior notice.



Folds away neatly

ENQUIRIES: 01642 768590 SERVICE: 01642 763646 FAX: 01642 766590



theLevant straightstairlift



a reliable stairlift
for quality of life



specialists in
access solutions

specialists in access solutions



the levant a reliable stairlift for quality of life

Seat

The ergonomically designed seat makes the ride smooth and comfortable. The seat is wide providing spacious seating. When the lift is folded up, there is still plenty of space for other stair users.

Padding

The thick and luxurious padding ensures a firm but soft seat. The sisal colour of the padding is a neutral colour which will match with any internal décor. The upholstery is fire retardant, liquid repellent and easy to clean.

Seat Belt

A seat belt as standard gives the user maximum security whilst travelling on the lift and is an easy-to-use one click system.

Rail

The aluminium rail has a slim design with the rack securely covered which gives it a modern look.

Always Put Customer Service First

As one of only a few manufacturers who are members of LEIA (Lift and Escalator Industry Association) you can have complete peace of mind, safe in the knowledge that you have chosen a company who have built a long and enviable reputation as a manufacturer.

'Who always put customer service first'



The Levant

Features

- Lifting capacity: 127-138 Kg
- Operation, joystick control (also functions as key).
- Infra red call and send station with push button.
- Drive system: Battery (24VDC), rack and pinion drive system.
- Rail: Anodised aluminium.
- Inclination: 28 up to 53 degrees
- Speed: max. 0.1 m/s

Swivel Lever

The swivel lever is very easy to use, swiveling the seat safely away from the staircase towards the upper hall landing allowing the user to get off the lift safely. The swivel lever is easy to operate and is situated on the right and left side of the chair.

Footrest

The footrest is large and enables the user to place their feet comfortably for travelling on the lift. The darker colour on the top of the foot rest ensures, stains or smudges from shoes won't show easily on this darker colour.

**Specialists in
Access Solutions**

